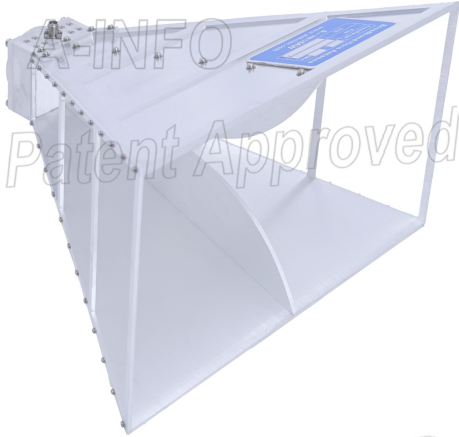


For reference only. See data sheet for the detailed specifications.

Technical Specification



Frequency Range(GHz)	0.8 – 30.0	
Gain(dBi)	12 Typ.	
Polarization	Linear	
3dB Beamwidth(deg)	E Plane:	102 – 25
	H Plane:	90 – 19
Cross Pol. Isolation(dB)	25 Typ.	
VSWR	1.50:1 Typ.	
Connector	2.92mm-Female	
	2.4mm-Female	
Power Handling(W CW)	2.92mm-F:	20 Max.
	2.4mm-F:	10 Max.
Material	Al	
Finish	Chemical Conversion Coating	
Size(mm)	244.5 x 144.3 x 201	
Net Weight(Kg)	0.61 Around	

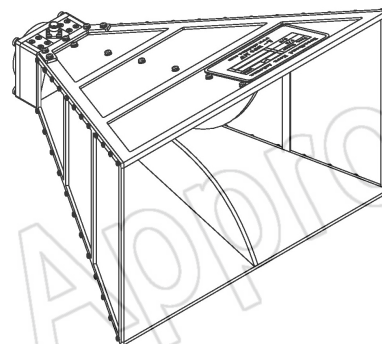
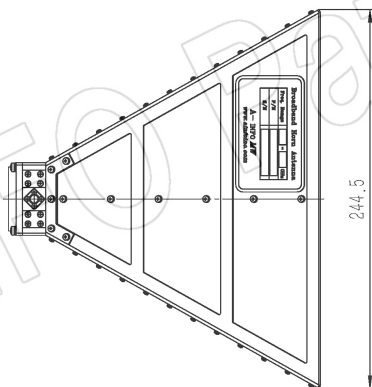
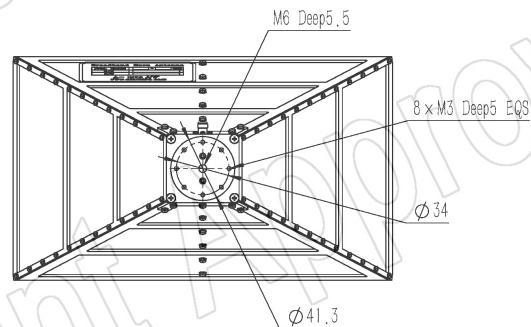
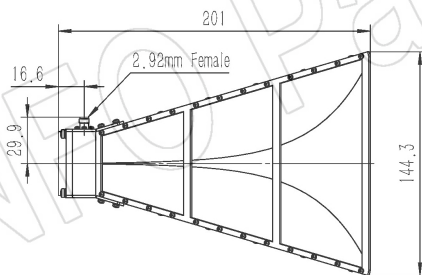
PATENT ID (China)

ZL202121732730.2, ZL202130483999.0

Outline Drawing (Size: mm)

2.92mm-Female Output (P/N: LB-8300-KF)

For 2.4mm-Female output outline drawing, please contact A-INFO.



AINFO Inc.

China(Beijing):
China(Chengdu):
USA :

Tel: (+86) 10-6266-7326,
Tel: (+86) 28-8519-2786,
Tel: (+1) 949-639-9688,

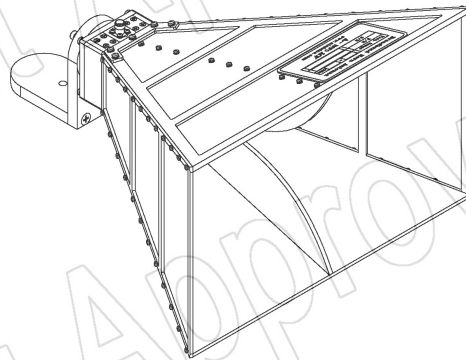
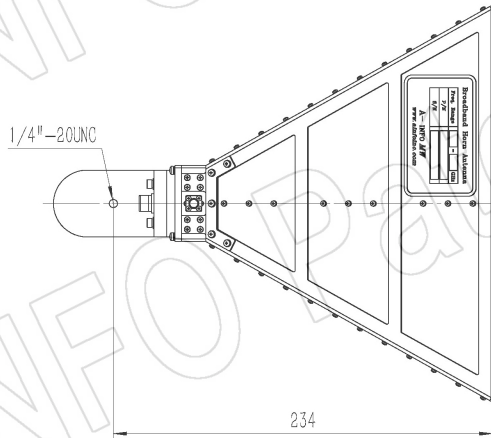
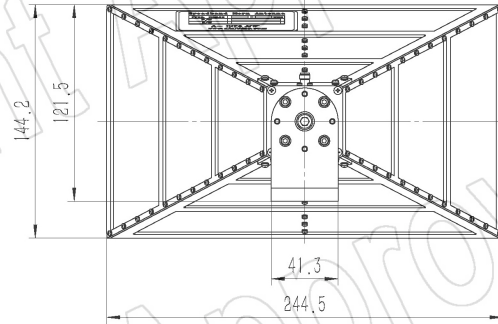
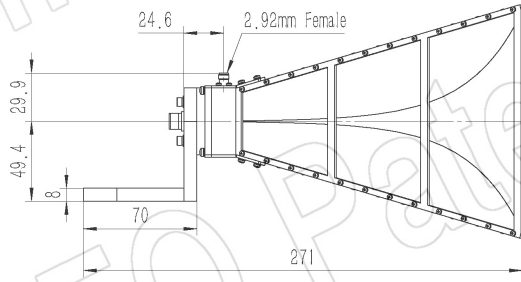
(+86) 10-6266-7327
(+86) 28-8519-3044
(+1) 949-639-9608

Fax: (+86) 10-6266-7379
Fax: (+86) 28-8519-3068
Fax: (+1) 949-639-9670

Website: www.ainfoinc.com
Email: sales@ainfoinc.com

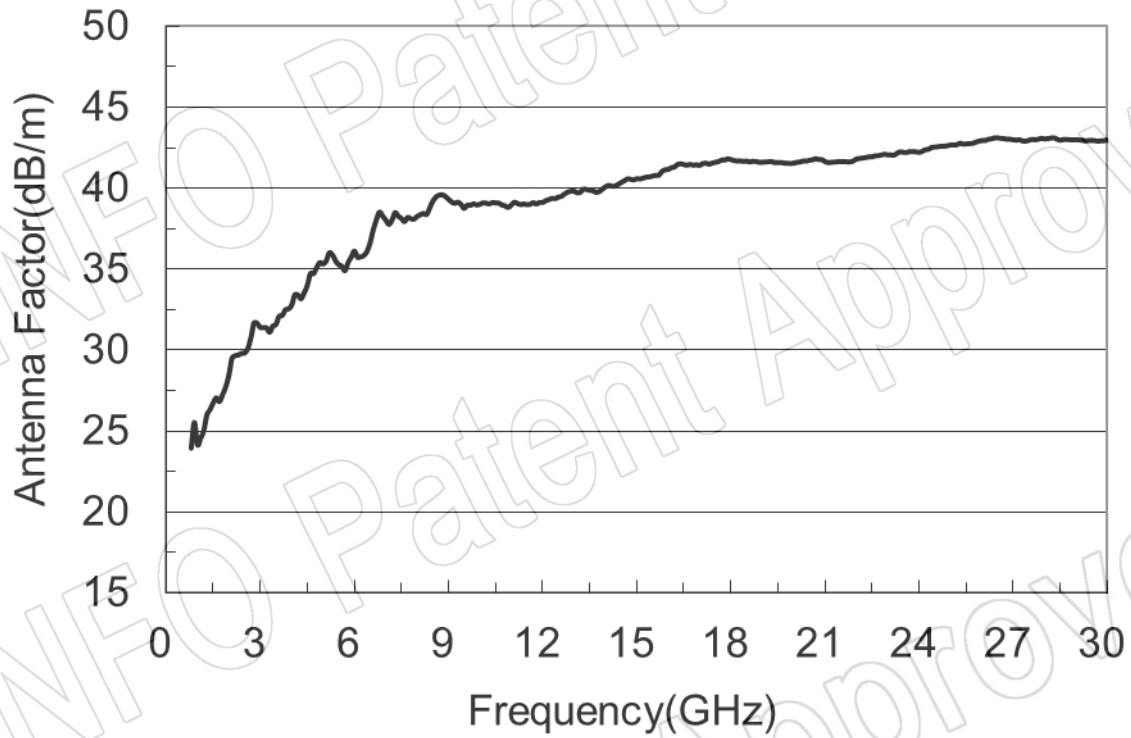
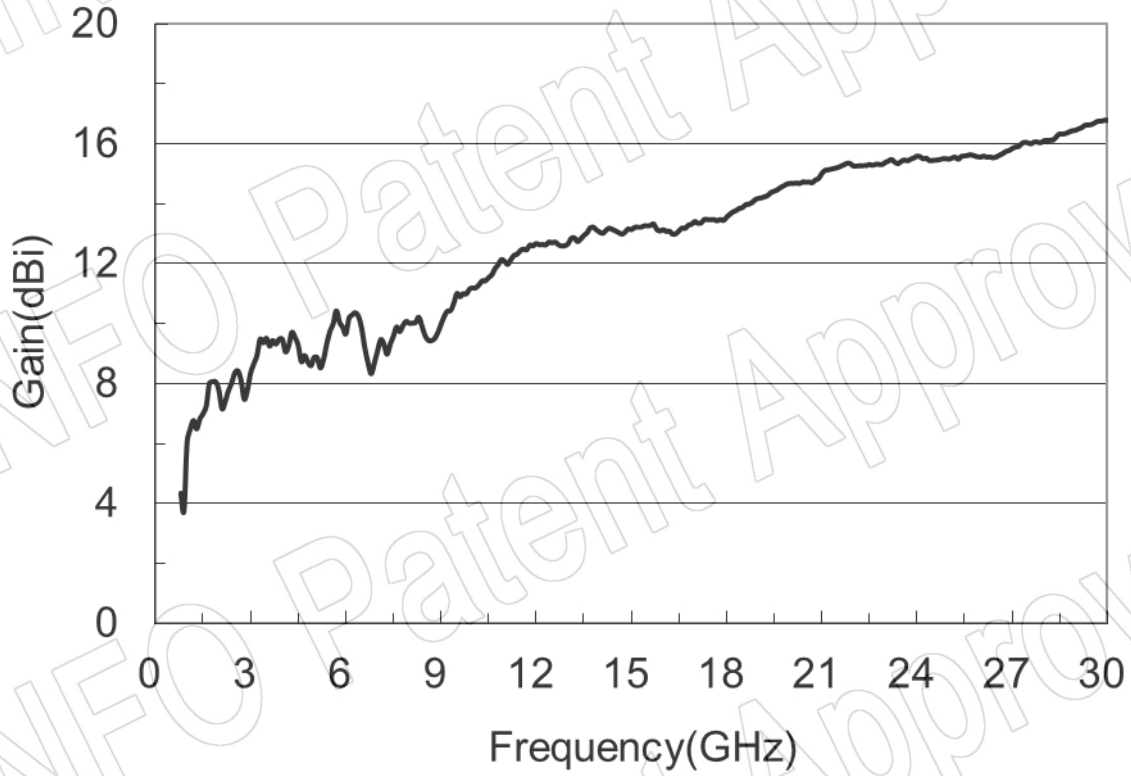
2.92mm-Female Output with L Type Mounting Bracket (Option, P/N: LB-20180-L)

For 2.4mm-Female output outline drawing, please contact A-INFO.

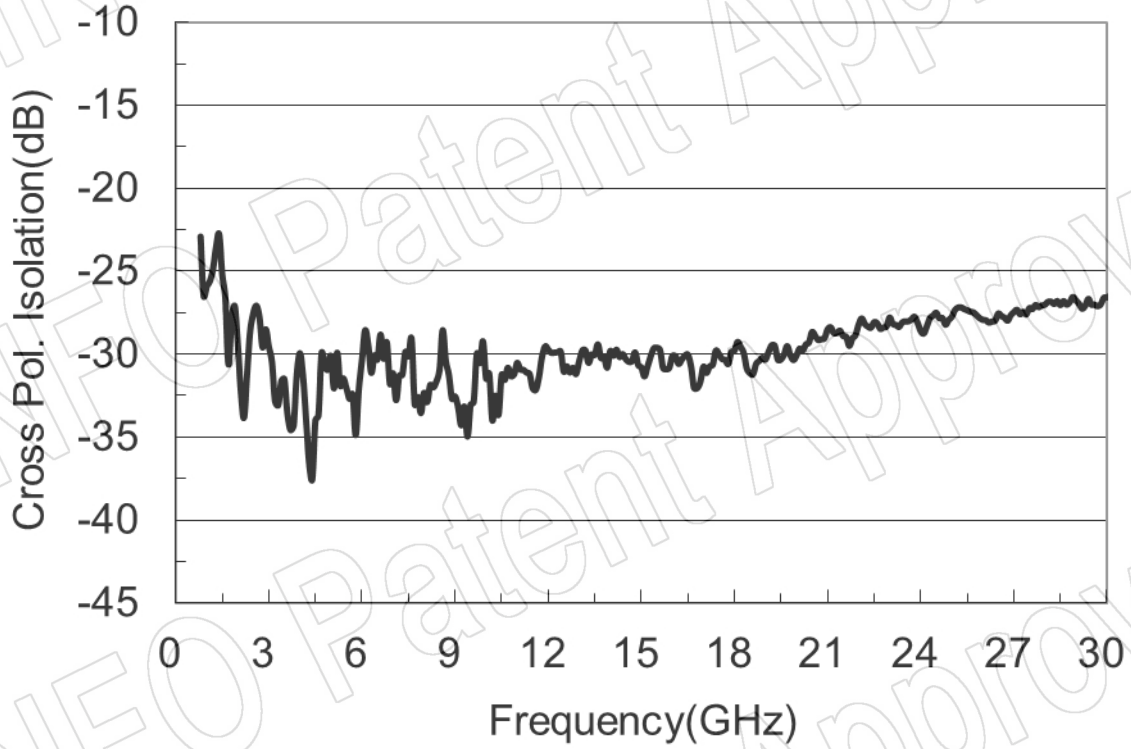


Test Results

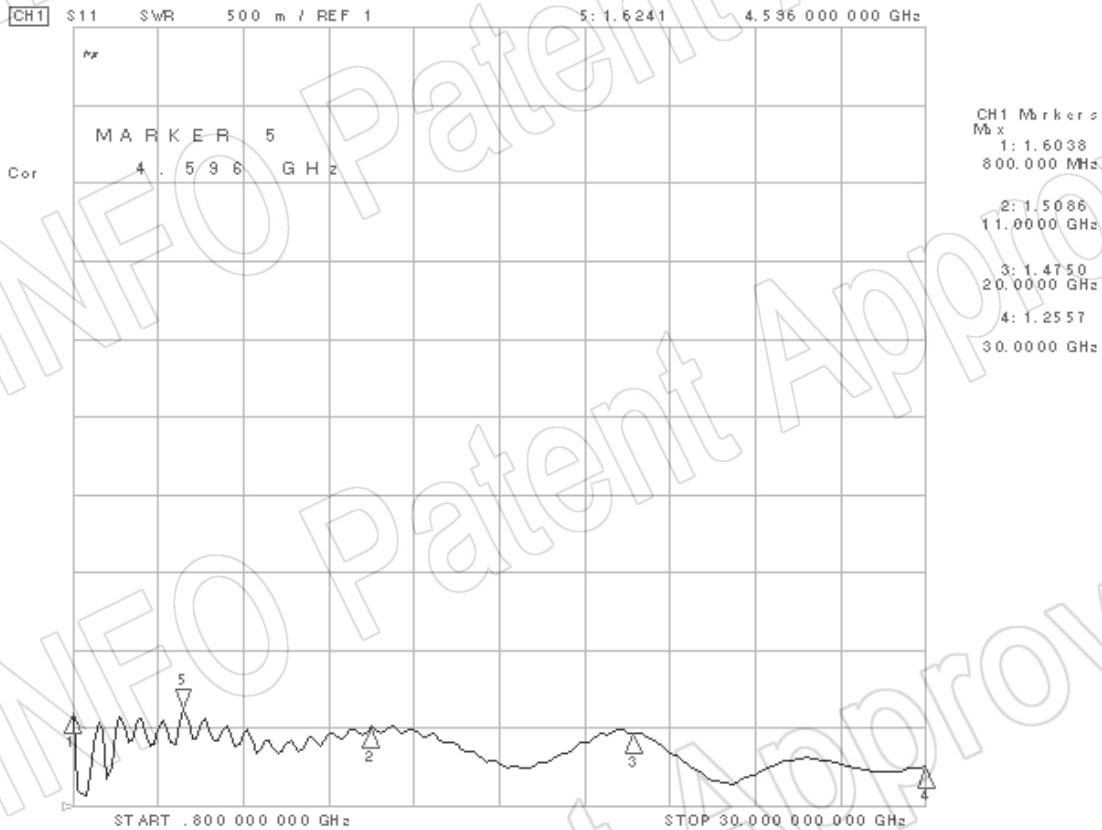
1. Gain & Antenna Factor



2. Cross Polarization Isolation



3. VSWR



4. Pattern

